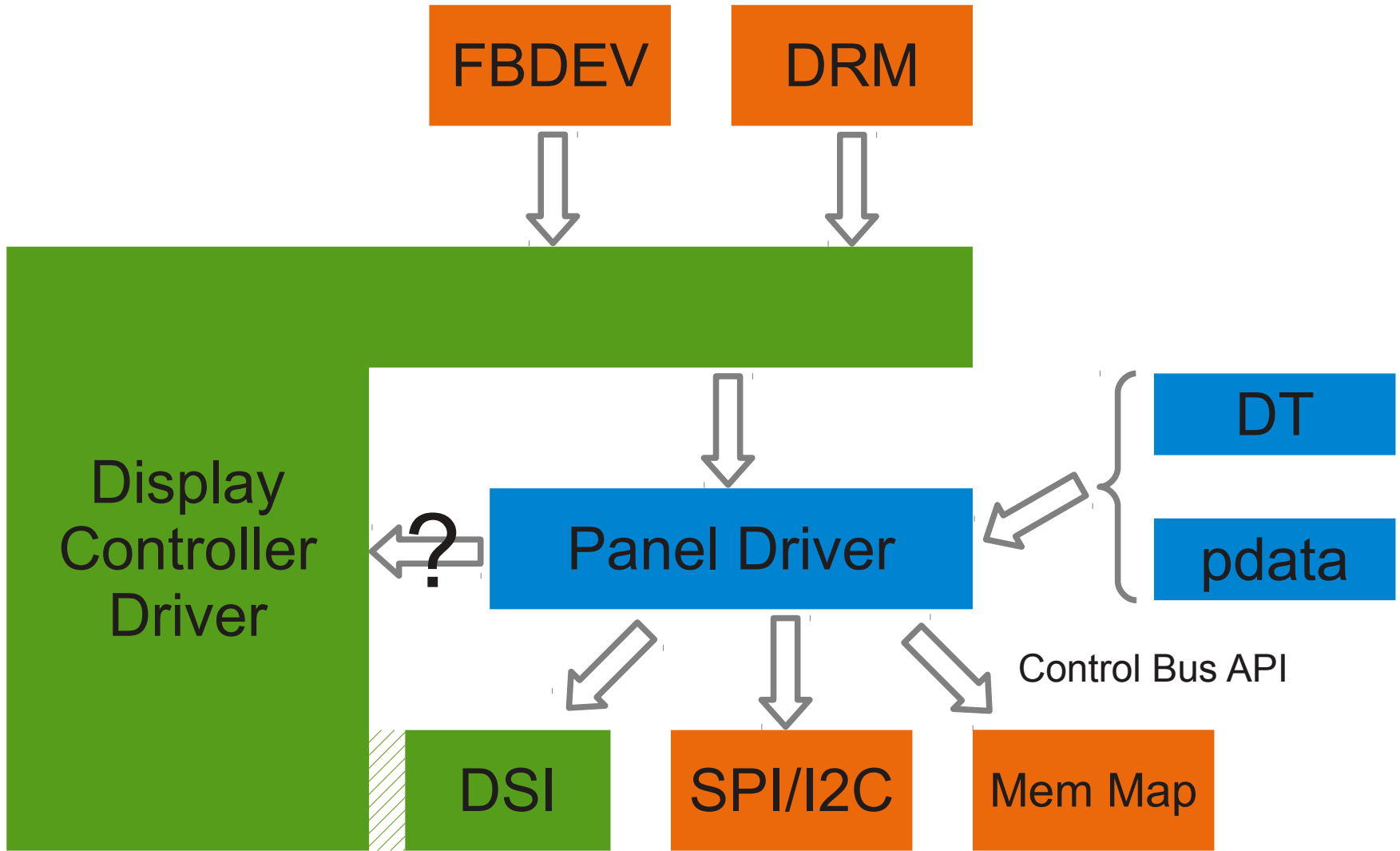


- **arch/sh/boards/mach-kfr2r09/lcd\_wqvga.c**
- **arch/sh/boards/mach-migor/lcd\_qvga.c**

- **arch/sh/boards/mach-kfr2r09**/lcd\_wqvga.c
- **arch/sh/boards/mach-migor**/lcd\_qvga.c
- **drivers/video/exynos**/s6e8ax0.c
- **drivers/video/msm**/mddi\_client\_\*.c
- **drivers/video/omap**/lcd\_\*.c
- **drivers/video/omap2**/displays/
  - panel-acx565akm.c
  - panel-generic-dpi.c
  - panel-lgphilips-lb035q02.c
  - panel-n8x0.c
  - panel-nec-nl8048hl11-01b.c
  - panel-picodlp.c
  - panel-sharp-ls037v7dw01.c
  - panel-taal.c
  - panel-tfp410.c
  - panel-tpo-td043mtea1.c



- `int (*enable)(struct panel *panel,  
              enum panel_enable_mode enable);`
- `int (*start_transfer)(struct panel *panel);`
- `int (*get_modes)(struct panel *panel,  
                  const struct fb_videomode **modes);`
- `int (*get_params)(struct panel *panel,  
                  struct panel_interface_params *params);`